



Monocrystalline Module

Dimensions : 665*1005*30mm
 Mono Power : 110W~125W



125W

Max power output

18.70%

Max Efficiency

±3%

Positive Power Tolerance

SUNWORTH - Your Trusted Brand of High Quality

- Professional crystalline silicon photovoltaic module manufacturer.
- Fully automated production line with leading photovoltaic technology.
- Adopt strict international standard quality management system ISO 9001:2015, ISO14001: 2015.
- Passed variety of harsh environmental tests (salt spray, ammonia and sand storm corrosion test IEC61730-2:2016, IEC61215:2016).
- Twice EL test to ensure the reliability of the solar modules.



5 Bus Bar Solar Cells

5 BB solar cells, improve the modules' efficiency ,and contributed a better aesthetic appearance



High Efficiency

High efficiency solar cells to keep the module efficiency reach to

18.70%



Low-light Performance

Advanced glass and cell surface textured design ensure excellent performance in low-light environment



PID Resistance

Excellent Anti-PID performance guarantee limited power degradation for mass production



Severe Weather Resilience

2400 Pa wind load
 5400 Pa snow load



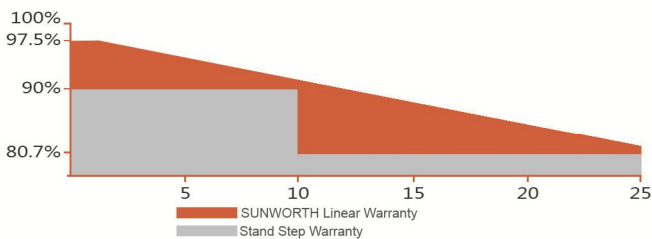
100% EL Testing

100% EL detection before and after lamination

Linear Performance Warranty

10 years Product Warranty

25 years Linear Power Warranty



Dimensions: 665*1005*30mm
Mono Power: 110W~125W

Electrical Characteristics

Model No.	SW110M-36	SW120M-36	SW125M-36
Maximum Power (Pmax)	110W	120W	125W
Max-power Voltage (Vmp)	19.00V	19.74V	19.90V
Max-power Current (Imp)	5.79A	6.08A	6.29A
Open-circuit Voltage (Voc)	23.17V	24.11V	24.35V
Short-circuit Current (Isc)	6.14A	6.37A	6.60A
Module Efficiency	16.46%	17.96%	18.70%
Operating Temperature	-40°C~+85°C		
Maximum System Voltage	600Vdc		
Maximum Series Fuse Rating	10A		
Power Tolerance	±3%		

*STC condition: 1000 W/m², 1.5AM and 25°C cell temperature

Temperature Characteristics

NMOT	46°C±2°C
Temperature Co-efficient of Pmax	-0.398%/°C
Temperature Co-efficient of Voc	-0.340%/°C
Temperature Co-efficient of Isc	0.0576%/°C

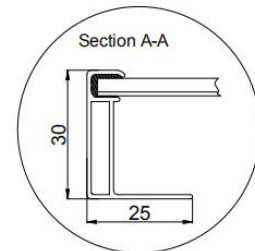
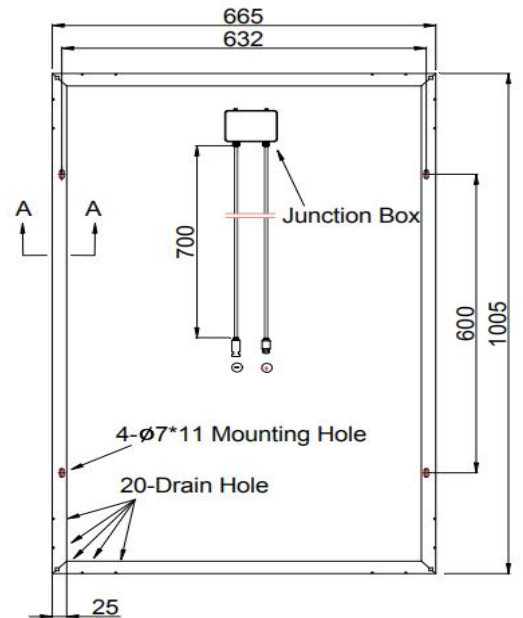
Mechanical Characteristics

Mono Power	110W~125W
Cell Type	Mono 156.75*104.5mm
Cell Arrangement	36(4*9)
Dimensions	665*1005*30mm
Weight	7.2kg
Front Cover	3.2mm tempered glass
Frame Material	Anodized aluminium alloy
Junction Box	IP65 rated
Output Cables	2.5mm ² , Length 700mm+MC4

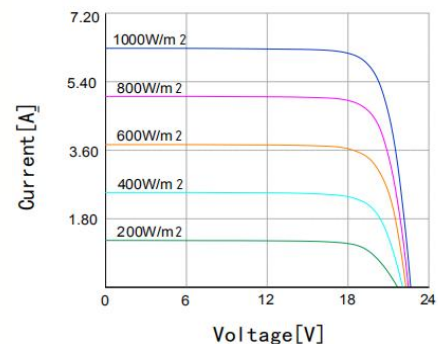
Packing

Packing	20'GP	40'HC
Pieces per Carton	3	3
Pieces/container	960	1980

Module Size



I-V Curve



SUNWORTH solar modules have superior performance under low solar irradiation condition (200W/m² (AM1.5, 25 °C)

Website: www.sunworthsolar.com