



# Monocrystalline Module

Dimensions : 992\*1482\*35mm  
 Mono Power : 255W~280W



**270W**

Max power output

**18.36%**

Max Efficiency

**± 3%**

Positive Power Tolerance

## SUNWORTH - Your Trusted Brand of High Quality

- Professional crystalline silicon photovoltaic module manufacturer.
- Fully automated production line with leading photovoltaic technology.
- Adopt strict international standard quality management system ISO 9001:2015, ISO14001: 2015.
- Passed variety of harsh environmental tests (salt spray, ammonia and sand storm corrosion test IEC61730-2:2016, IEC61215:2016).
- Twice EL test to ensure the reliability of the solar modules.



### 5 Bus Bar Solar Cells

5 BB solar cells, improve the modules' efficiency ,and contributed a better aesthetic appearance



### High Efficiency

High efficiency solar cells to keep the module efficiency reach to 18.36%



### Low-light Performance

Advanced glass and cell surface textured design ensure excellent performance in low-light environment



### PID Resistance

Excellent Anti-PID performance guarantee limited power degradation for mass production



### Severe Weather Resilience

2400 Pa wind load  
 5400 Pa snow load



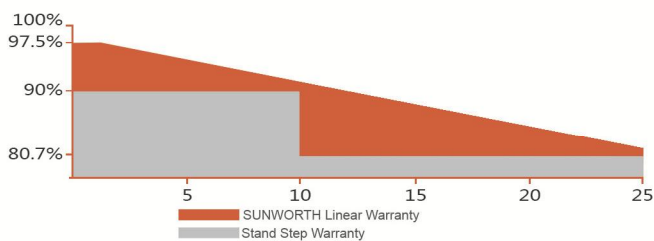
### 100% EL Testing

100% EL detection before and after lamination

## Linear Performance Warranty

10 years Product Warranty

25 years Linear Power Warranty



**Dimensions: 992\*1482\*35mm**  
**Mono Power: 255W~280W**

### Electrical Characteristics

Model No.	SW255M-72	SW270M-72	SW280M-72
Maximum Power (Pmax)	255W	270W	280W
Max-power Voltage (Vmp)	38.10V	38.45V	38.81V
Max-power Current (Imp)	6.69A	7.02A	7.21A
Open-circuit Voltage (Voc)	45.72V	46.14V	46.57V
Short-circuit Current (Isc)	7.09A	7.44A	7.65A
Module Efficiency	17.35%	18.36%	19.05%
Operating Temperature	-40°C~+85°C		
Maximum System Voltage	1000Vdc		
Maximum Series Fuse Rating	15A		
Power Tolerance	0~+3%		

\*STC condition: 1000 W/m<sup>2</sup>, 1.5AM and 25°C cell temperature

### Temperature Characteristics

NMOT	46°C±2°C
Temperature Co-efficient of Pmax	-0.398%/°C
Temperature Co-efficient of Voc	-0.340%/°C
Temperature Co-efficient of Isc	0.0576%/°C

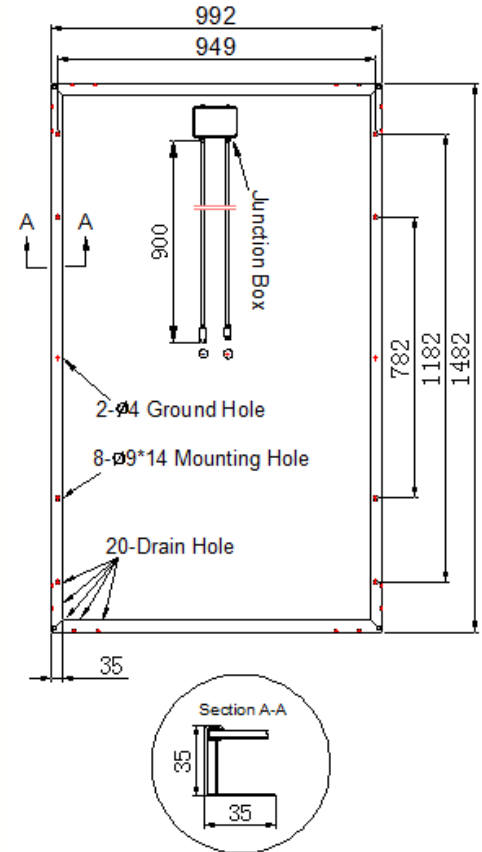
### Mechanical Characteristics

Mono Power	255W~280W
Cell Type	Mono 156.75*156.75mm
Cell Arrangement	72(6*12)
Dimensions	992*1482*35mm
Weight	15.1kg
Front Cover	3.2mm tempered glass
Frame Material	Anodized aluminium alloy
Junction Box	IP67 rated
Output Cables	4mm <sup>2</sup> , Length 900mm+MC4

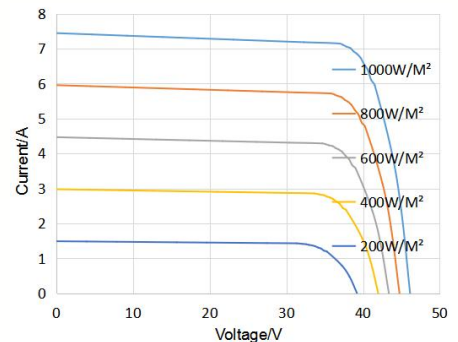
### Packing

Packing	20'GP	40'HC
Pieces per Carton	30	30
Pieces/container	420	975

### Module Size



### I-V Curve



SUNWORTH solar modules have superior performance under low solar irradiation condition ( 200W/m<sup>2</sup> (AM1.5, 25 °C)

Website: [www.sunworthsolar.com](http://www.sunworthsolar.com)