

Monocrystalline Module

Dimensions : 992*1640*35mm
 Mono Power : 280W~315W



315W

Max power output

19.36%

Max Efficiency

± 3%

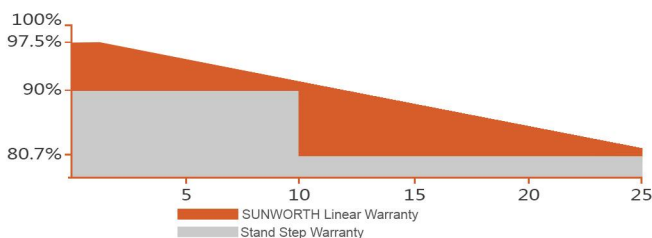
Positive Power Tolerance

SUNWORTH - Your Trusted Brand of High Quality

- Professional crystalline silicon photovoltaic module manufacturer.
- Fully automated production line with leading photovoltaic technology.
- Adopt strict international standard quality management system ISO 9001:2015, ISO14001: 2015.
- Passed variety of harsh environmental tests (salt spray, ammonia and sand storm corrosion test IEC61730-2:2016, IEC61215:2016).
- Twice EL test to ensure the reliability of the solar modules.

Linear Performance Warranty

10 years Product Warranty 25 years Linear Power Warranty



5 Bus Bar Solar Cells

5 BB solar cells, improve the modules' efficiency ,and contributed a better aesthetic appearance



High Efficiency

High efficiency solar cells to keep the module efficiency reach to 19.36%



Low-light Performance

Advanced glass and cell surface textured design ensure excellent performance in low-light environment



PID Resistance

Excellent Anti-PID performance guarantee limited power degradation for mass production



Severe Weather Resilience

2400 Pa wind load
 5400 Pa snow load



100% EL Testing

100% EL detection before and after lamination

Dimensions: 992*1640*35mm
Mono Power: 280W~315W

Electrical Characteristics

Model No.	SW280M-60	SW300M-60	SW310M-60
Maximum Power (Pmax)	280W	300W	310W
Max-power Voltage (Vmp)	31.16V	32.60V	33.13V
Max-power Current (Imp)	8.99A	9.21A	9.36A
Open-circuit Voltage (Voc)	36.96V	40.15V	40.54V
Short-circuit Current (Isc)	9.27A	9.74A	9.92A
Module Efficiency	17.21%	18.44%	19.05%
Operating Temperature	-40°C~+85°C		
Maximum System Voltage	1000Vdc		
Maximum Series Fuse Rating	15A		
Power Tolerance	0~+3%		

*STC condition: 1000 W/m², 1.5AM and 25°C cell temperature

Temperature Characteristics

NMOT	46°C±2°C
Temperature Co-efficient of Pmax	-0.398%/°C
Temperature Co-efficient of Voc	-0.340%/°C
Temperature Co-efficient of Isc	0.0576%/°C

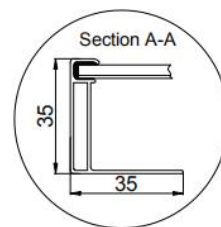
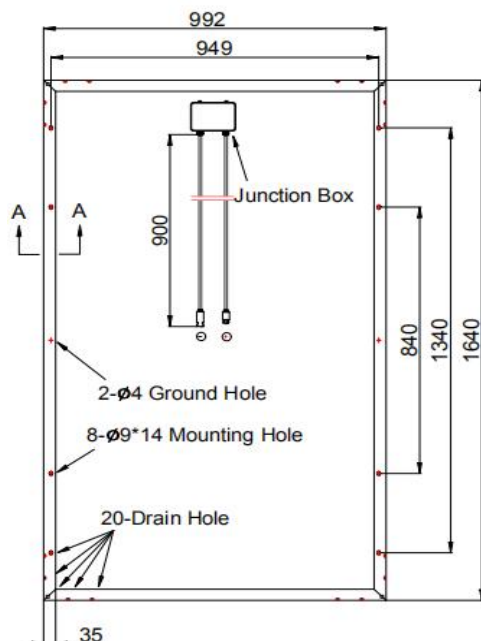
Mechanical Characteristics

Mono Power	280W~315W
Cell Type	Mono 156.75*156.75mm
Cell Arrangement	60(6*10)
Dimensions	992*1640*35mm
Weight	17.6kg
Front Cover	3.2mm tempered glass
Frame Material	Anodized aluminium alloy
Junction Box	IP67 rated
Output Cables	4mm ² , Length 900mm+MC4

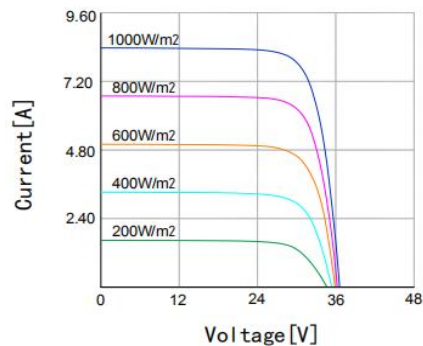
Packing

Packing	20'GP	40'HC
Pieces per Carton	30	30
Pieces/container	360	938

Module Size



I-V Curve



SUNWORTH solar modules have superior performance under low solar irradiation condition (200W/m² (AM1.5, 25 °C)