



# Monocrystalline Module

Dimensions: 1002\*1979\*35mm  
Mono Power: 390W



**390W**

Max power output

**19.67%**

Max Efficiency

**± 3%**

Positive Power Tolerance

## SUNWORTH - Your Trusted Brand of High Quality

- Professional crystalline silicon photovoltaic module manufacturer.
- Fully automated production line with leading photovoltaic technology.
- Adopt strict international standard quality management system ISO 9001:2015, ISO14001: 2015.
- Passed variety of harsh environmental tests (salt spray, ammonia and sand storm corrosion test IEC61730-2:2016, IEC61215:2016).
- Twice EL test to ensure the reliability of the solar modules.



### 5 Bus Bar Solar Cells

5 BB solar cells, improve the modules' efficiency ,and contributed a better aesthetic appearance



### High Efficiency

High efficiency solar cells to keep the module efficiency reach to 19.67%



### Low-light Performance

Advanced glass and cell surface textured design ensure excellent performance in low-light environment



### PID Resistance

Excellent Anti-PID performance guarantee limited power degradation for mass production



### Severe Weather Resilience

2400 Pa wind load  
5400 Pa snow load



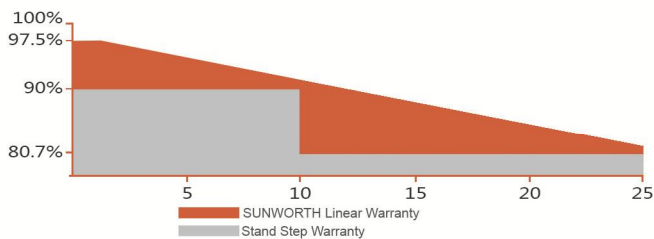
### 100% EL Testing

100% EL detection before and after lamination

## Linear Performance Warranty

10 years Product Warranty

25 years Linear Power Warranty



**Dimensions: 1002\*1979\*35mm**  
**Mono Power: 390W**

### Electrical Characteristics

|                             |             |
|-----------------------------|-------------|
| Model No.                   | SW390MP-72  |
| Maximum Power (Pmax)        | 390W        |
| Max-power Voltage (Vmp)     | 39.92V      |
| Max-power Current (Imp)     | 9.77A       |
| Open-circuit Voltage (Voc)  | 49.14V      |
| Short-circuit Current (Isc) | 10.36A      |
| Module Efficiency           | 19.67%      |
| Operating Temperature       | -40°C~+85°C |
| Maximum System Voltage      | 1000Vdc     |
| Maximum Series Fuse Rating  | 15A         |
| Power Tolerance             | ±3%         |

\*STC condition: 1000 W/m<sup>2</sup>, 1.5AM and 25°C cell temperature

### Temperature Characteristics

|                                  |            |
|----------------------------------|------------|
| NMOT                             | 46°C±2°C   |
| Temperature Co-efficient of Pmax | -0.398%/°C |
| Temperature Co-efficient of Voc  | -0.340%/°C |
| Temperature Co-efficient of Isc  | 0.0576%/°C |

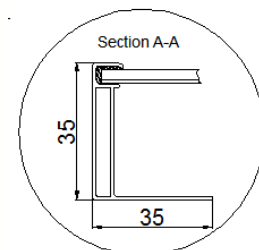
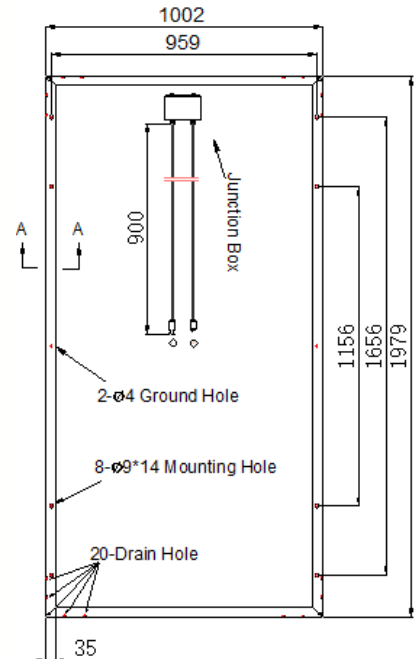
### Mechanical Characteristics

|                  |                                     |
|------------------|-------------------------------------|
| Mono Power       | 390W                                |
| Cell Type        | Mono 158.75*158.75mm                |
| Cell Arrangement | 72(6*12)                            |
| Dimensions       | 1002*1979*35mm                      |
| Weight           | 21.0kg                              |
| Front Cover      | 3.2mm tempered glass                |
| Frame Material   | Anodized aluminium alloy            |
| Junction Box     | IP67 rated                          |
| Output Cables    | 4mm <sup>2</sup> , Length 900mm+MC4 |

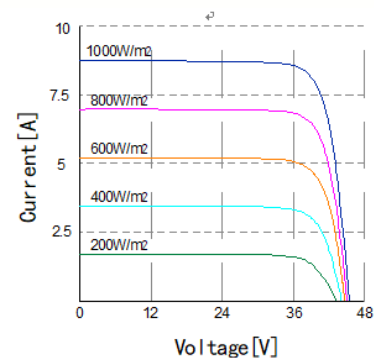
### Packing

|                   |       |       |
|-------------------|-------|-------|
| Packing           | 20'GP | 40'HC |
| Pieces per Carton | 30    | 30    |
| Pieces/container  | 300   | 704   |

### Module Size



### I-V Curve



SUNWORTH solar modules have superior performance under low solar irradiation condition ( 200W/m<sup>2</sup> (AM1.5, 25 °C)

Website: [www.sunworthsolar.com](http://www.sunworthsolar.com)