



# Monocrystalline Module

Dimensions: 1002\*1979\*35mm  
Mono Power: 395W



**395W**

Max power output

**19.92%**

Max Efficiency

**± 3%**

Positive Power Tolerance

## SUNWORTH - Your Trusted Brand of High Quality

- Professional crystalline silicon photovoltaic module manufacturer.
- Fully automated production line with leading photovoltaic technology.
- Adopt strict international standard quality management system ISO 9001:2015, ISO14001: 2015.
- Passed variety of harsh environmental tests (salt spray, ammonia and sand storm corrosion test IEC61730-2:2016, IEC61215:2016).
- Twice EL test to ensure the reliability of the solar modules.



### 5 Bus Bar Solar Cells

5 BB solar cells, improve the modules' efficiency ,and contributed a better aesthetic appearance



### High Efficiency

High efficiency solar cells to keep the module efficiency reach to 19.92%



### Low-light Performance

Advanced glass and cell surface textured design ensure excellent performance in low-light environment



### PID Resistance

Excellent Anti-PID performance guarantee limited power degradation for mass production



### Severe Weather Resilience

2400 Pa wind load  
5400 Pa snow load



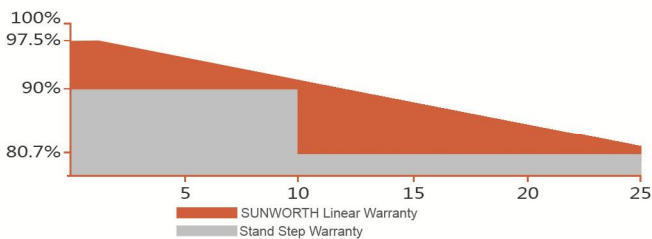
### 100% EL Testing

100% EL detection before and after lamination

## Linear Performance Warranty

10 years Product Warranty

25 years Linear Power Warranty



**Dimensions: 1002\*1979\*35mm**  
**Mono Power: 395W**

### Electrical Characteristics

Model No.	SW395MP-72
Maximum Power (Pmax)	395W
Max-power Voltage (Vmp)	40.31V
Max-power Current (Imp)	9.80A
Open-circuit Voltage (Voc)	49.47V
Short-circuit Current (Isc)	10.40A
Module Efficiency	19.92%
Operating Temperature	-40°C~+85°C
Maximum System Voltage	1000Vdc
Maximum Series Fuse Rating	15A
Power Tolerance	±3%

\*STC condition: 1000 W/m<sup>2</sup>, 1.5AM and 25°C cell temperature

### Temperature Characteristics

NMOT	46°C±2°C
Temperature Co-efficient of Pmax	-0.398%/°C
Temperature Co-efficient of Voc	-0.340%/°C
Temperature Co-efficient of Isc	0.0576%/°C

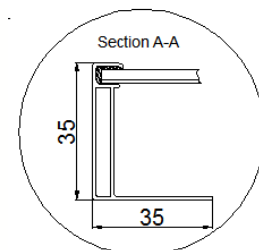
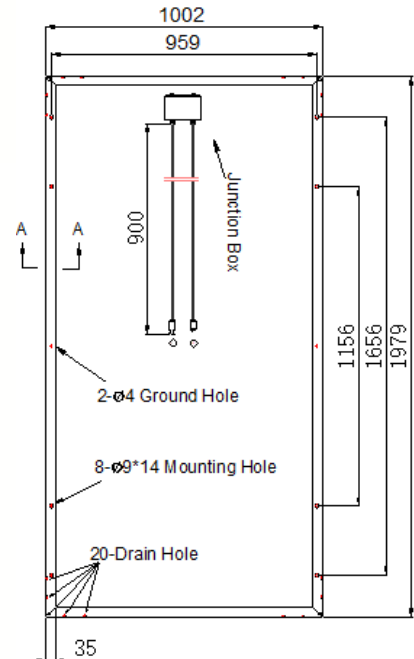
### Mechanical Characteristics

Mono Power	395W
Cell Type	Mono 158.75*158.75mm
Cell Arrangement	72(6*12)
Dimensions	1002*1979*35mm
Weight	21.0kg
Front Cover	3.2mm tempered glass
Frame Material	Anodized aluminium alloy
Junction Box	IP67 rated
Output Cables	4mm <sup>2</sup> , Length 900mm+MC4

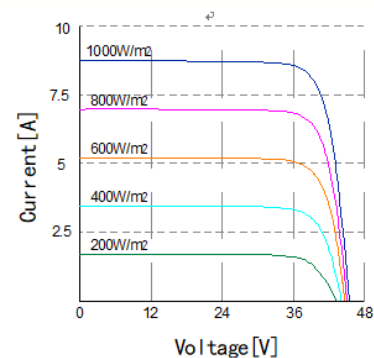
### Packing

Packing	20'GP	40'HC
Pieces per Carton	30	30
Pieces/container	300	704

### Module Size



### I-V Curve



SUNWORTH solar modules have superior performance under low solar irradiation condition ( 200W/m<sup>2</sup> (AM1.5, 25 °C)

Website: [www.sunworthsolar.com](http://www.sunworthsolar.com)