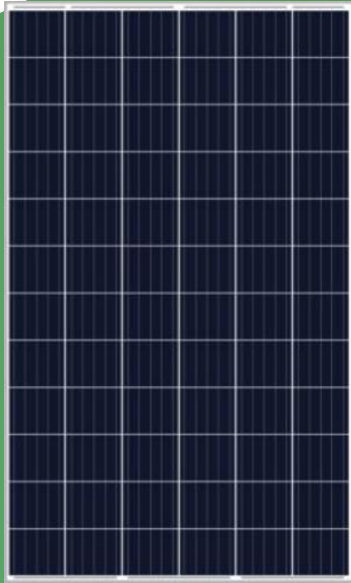




# Polycrystalline Module

Dimensions : 992\*1330\*30mm

Poly Power : 200W~215W



**215W**

Max power output

**16.29%**

Max Efficiency

**±3%**

Positive Power Tolerance

## SUNWORTH - Your Trusted Brand of High Quality

- Professional crystalline silicon photovoltaic module manufacturer.
- Fully automated production line with leading photovoltaic technology.
- Adopt strict international standard quality management system ISO 9001:2015, ISO14001: 2015.
- Passed variety of harsh environmental tests (salt spray, ammonia and sand storm corrosion test IEC61730-2:2016, IEC61215:2016).
- Twice EL test to ensure the reliability of the solar modules.



### 5 Bus Bar Solar Cells

5 BB solar cells, improve the modules' efficiency ,and contributed a better aesthetic appearance



### High Efficiency

High efficiency solar cells to keep the module efficiency reach to 16.29%



### Low-light Performance

Advanced glass and cell surface textured design ensure excellent performance in low-light environment



### PID Resistance

Excellent Anti-PID performance guarantee limited power degradation for mass production



### Severe Weather Resilience

2400 Pa wind load  
5400 Pa snow load



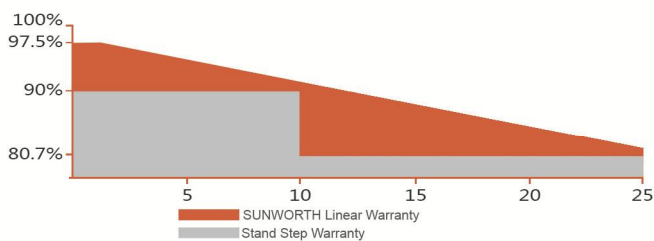
### 100% EL Testing

100% EL detection before and after lamination

## Linear Performance Warranty

10 years Product Warranty

25 years Linear Power Warranty



**Dimensions: 992\*1330\*30mm**  
**Poly Power: 200W~215W**

### Electrical Characteristics

Model No.	SW200P-72	SW205P-72	SW210P-72
Maximum Power (Pmax)	200W	205W	210W
Max-power Voltage (Vmp)	36.68V	36.74V	37.30V
Max-power Current (Imp)	5.46A	5.58A	5.63A
Open-circuit Voltage (Voc)	45.51V	45.29V	45.65V
Short-circuit Current (Isc)	5.71A	5.93A	5.98A
Module Efficiency	15.16%	15.54%	15.92%
Operating Temperature	-40°C~+85°C		
Maximum System Voltage	1000Vdc		
Maximum Series Fuse Rating	15A		
Power Tolerance	±3%		

\*STC condition: 1000 W/m<sup>2</sup>, 1.5AM and 25°C cell temperature

### Temperature Characteristics

NMOT	46°C±2°C
Temperature Co-efficient of Pmax	-0.398%/°C
Temperature Co-efficient of Voc	-0.340%/°C
Temperature Co-efficient of Isc	0.0576%/°C

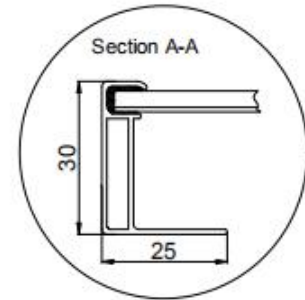
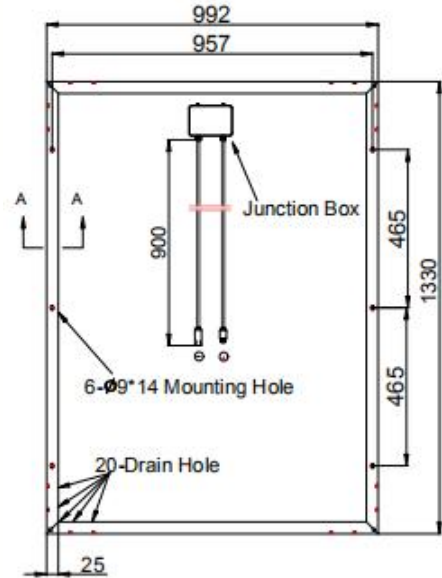
### Mechanical Characteristics

Mono Power	200W~215W
Cell Type	Poly 157*104.66mm
Cell Arrangement	72(6*12)
Dimensions	992*1330*30mm
Weight	13.9kg
Front Cover	3.2mm tempered glass
Frame Material	Anodized aluminium alloy
Junction Box	IP65 rated
Output Cables	4mm <sup>2</sup> , Length 900mm+MC4

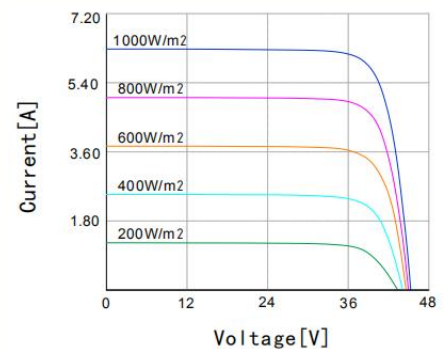
### Packing

Packing	20'GP	40'HC
Pieces per Carton	35	35
Pieces/container	560	1120

### Module Size



### I-V Curve



SUNWORTH solar modules have superior performance under low solar irradiation condition ( 200W/ m<sup>2</sup> (AM1.5, 25 °C)

Website: [www.sunworthsolar.com](http://www.sunworthsolar.com)