



Polycrystalline Module

Dimensions : 992*1482*35mm

Poly Power : 230W~250W



250W

Max power output

17.01%

Max Efficiency

±3%

Positive Power Tolerance

SUNWORTH - Your Trusted Brand of High Quality

- Professional crystalline silicon photovoltaic module manufacturer.
- Fully automated production line with leading photovoltaic technology.
- Adopt strict international standard quality management system ISO 9001:2015, ISO14001: 2015.
- Passed variety of harsh environmental tests (salt spray, ammonia and sand storm corrosion test IEC61730-2:2016, IEC61215:2016).
- Twice EL test to ensure the reliability of the solar modules.



5 Bus Bar Solar Cells

5 BB solar cells, improve the modules' efficiency ,and contributed a better aesthetic appearance



High Efficiency

High efficiency solar cells to keep the module efficiency reach to 17.01%



Low-light Performance

Advanced glass and cell surface textured design ensure excellent performance in low-light environment



PID Resistance

Excellent Anti-PID performance guarantee limited power degradation for mass production



Severe Weather Resilience

2400 Pa wind load
5400 Pa snow load



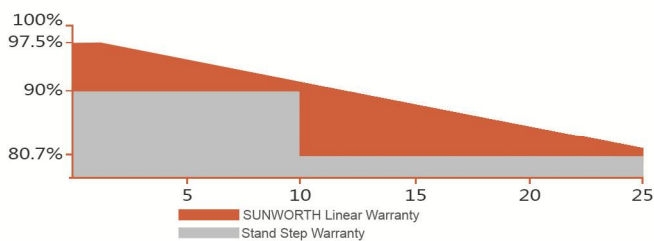
100% EL Testing

100% EL detection before and after lamination

Linear Performance Warranty

10 years Product Warranty

25 years Linear Power Warranty



Dimensions: 992*1482*35mm
Poly Power: 230W~250W

Electrical Characteristics

Model No.	SW230P-72	SW240P-72	SW250P-72
Maximum Power (Pmax)	230W	240W	250W
Max-power Voltage (Vmp)	37.01V	37.39V	38.00V
Max-power Current (Imp)	6.21A	6.42A	6.58A
Open-circuit Voltage (Voc)	44.8V	45.21V	46.36V
Short-circuit Current (Isc)	6.58A	6.94A </td <td>7.11A</td>	7.11A
Module Efficiency	15.64%	16.32%	17.01%
Operating Temperature	-40°C~+85°C		
Maximum System Voltage	1000Vdc		
Maximum Series Fuse Rating	15A		
Power Tolerance	±3%		

*STC condition: 1000 W/m², 1.5AM and 25°C cell temperature

Temperature Characteristics

NMOT	46°C±2°C
Temperature Co-efficient of Pmax	-0.398%/°C
Temperature Co-efficient of Voc	-0.340%/°C
Temperature Co-efficient of Isc	0.0576%/°C

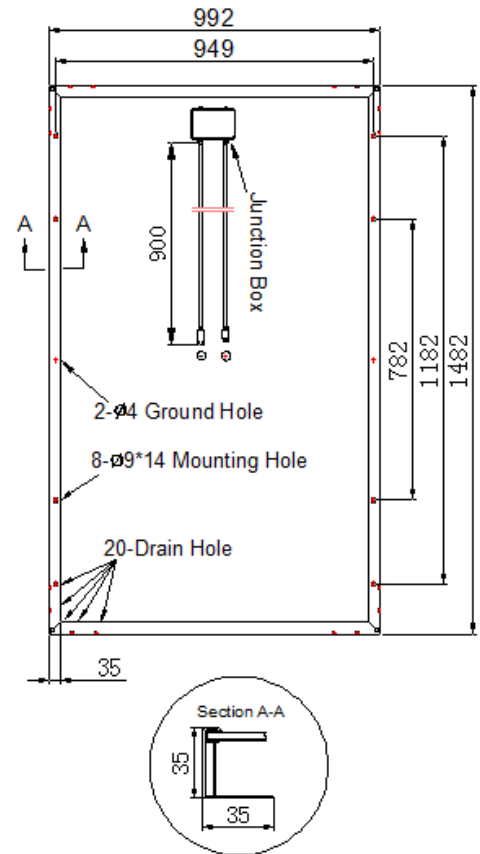
Mechanical Characteristics

Mono Power	230W~250W
Cell Type	Poly 157*117.8mm
Cell Arrangement	72(6*12)
Dimensions	992*1482*35mm
Weight	15.1kg
Front Cover	3.2mm tempered glass
Frame Material	Anodized aluminium alloy
Junction Box	IP65 rated
Output Cables	4mm ² , Length 900mm+MC4

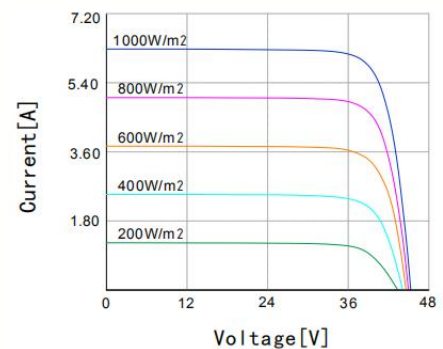
Packing

Packing	20'GP	40'HC
Pieces per Carton	30	30
Pieces/container	420	975

Module Size



I-V Curve



SUNWORTH solar modules have superior performance under low solar irradiation condition (200W/ m² (AM1.5, 25 °C)

Website: www.sunworthsolar.com